



94 Jackson Road, Devens, MA 01434-4012 USA

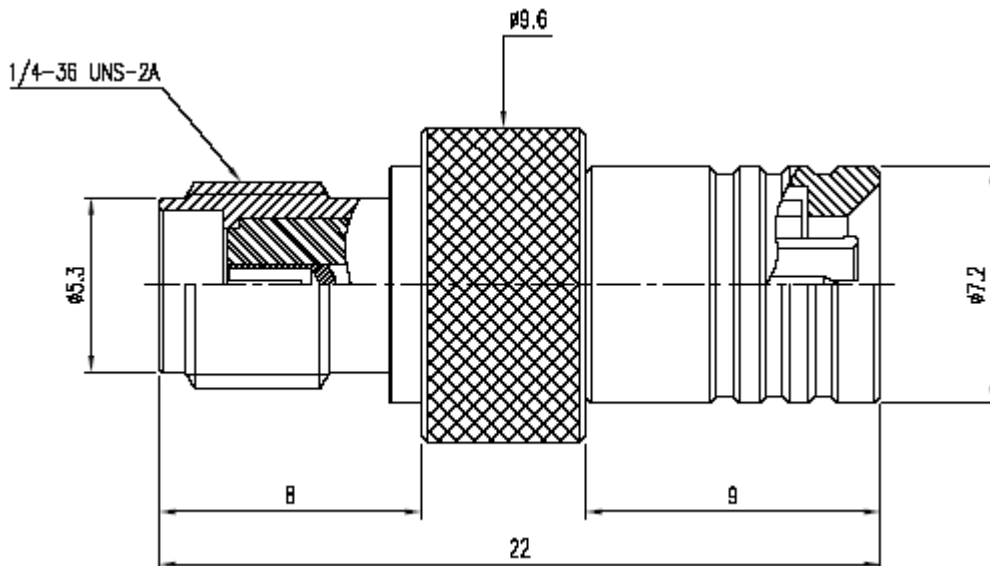
## ADAPTORS

**Model RMAD.BS.1023SMAmf**  
**Between Series – 1.0/2.3 male to SMA female**

Frequency (GHz)	Impedance ( $\Omega$ )	VSWR (max)	Insertion Loss (dB min)
DC – 8	50	1.30:1	0.8

### Notes:

- a. Material:
  - Body: brass/nickel
  - Contact: BeCu/gold
  - Spring Ring: BeCu/gold
  - Insulator: PTFE
- b. Operation temperature: -40C to +85C deg
- c. Interface: per DIN-47297, DIN-41626-2



*All specifications are subject to change without notice.*

Telephone: 978-772-3767

Fax: 978-772-3768

[www.responsemicrowave.com](http://www.responsemicrowave.com)