



94 JACKSON ROAD, SUITE 110, DEVENS, MA 01434

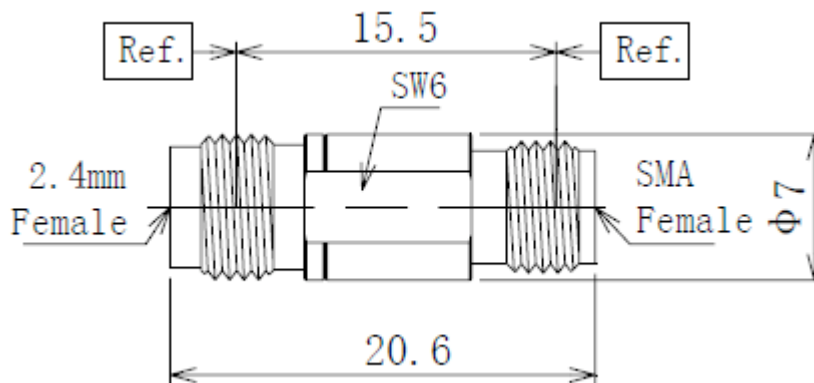
ADAPTORS

Model RMAD.BS.24SMA27ff Between Series SMA female 2.4mm female

Frequency (GHz)	Impedance (Ω)	VSWR (max)	Insertion Loss (dB f=frequency GHz)
DC – 27	50	1.15:1	0.07 f ^{1/2}

Notes:

- a. Material:
 - Body: SUS303 stainless steel/passivate
 - Socket Contacts: BeCu/gold
 - Dielectric: PEI
- b. Operation temperature: -65C to +105C deg



Dimensions are in mm. All specifications subject to change

Telephone: 978-772-3767

Fax: 978-772-3768

www.responsemicrowave.com