



94 JACKSON ROAD, SUITE 110, DEVENS, MA 01434

## ADAPTORS

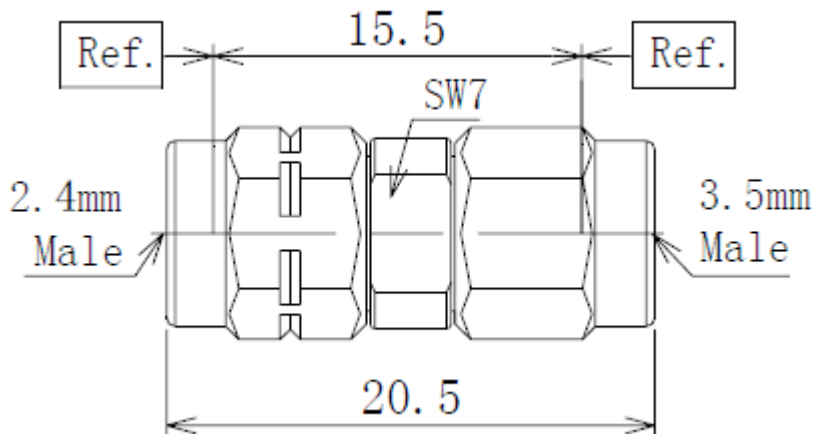
Model RMAD.BS.3524mm Between Series – 3.5 male to 2.4 male

### Electrical Specifications:

Frequency (GHz)	Impedance ( $\Omega$ )	VSWR (max)	Insertion Loss (dB f=frequency GHz)
DC – 33	50	1.15:1	$0.07 f^{1/2}$

### Notes:

- Material:  
Body: SUS303 stainless steel/passivate  
Socket Contacts: BeCu/gold  
Dielectric: PEI
- Operation temperature: -65C to +105C deg



*Dimensions are in mm. All specifications subject to change*

Telephone: 978-772-3767

Fax: 978-772-3768

[www.responsemicrowave.com](http://www.responsemicrowave.com)