



94 JACKSON ROAD, SUITE 110, DEVENS, MA 01434

ADAPTORS

Model RMAD.BS.716PNmf
Between Series 7/16 male push-on / N female

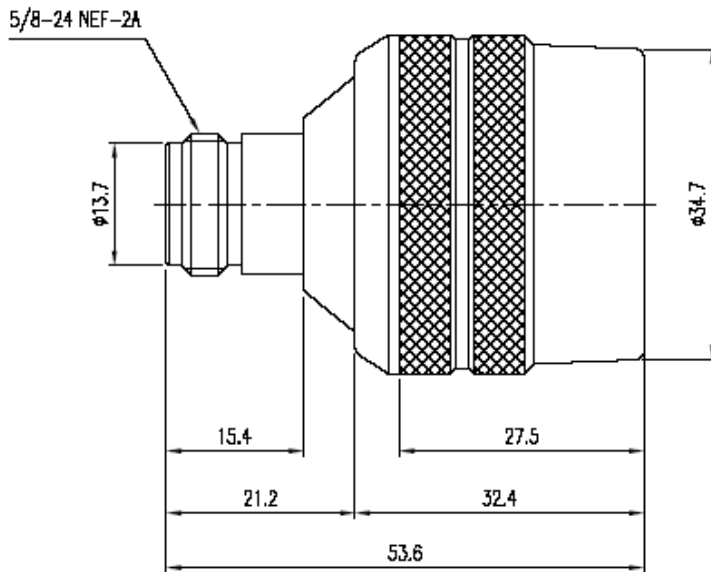
Electrical Specifications:

Frequency (GHz)	Impedance (Ω)	VSWR (max)	Insertion Loss (dB max)	Power
DC – 5	50	1.20:1	0.3	200 W

Notes:

- a. **Material:**
 Body: brass/ternary alloy plated
 Inner Contact: BeCu/silver plated
 Outer Contact: brass/silver plated
 Insulator: PTFE
- b. **Operation temperature: -35C to +80C deg**

All specifications subject to change
 Measurements are in mm



Telephone: 978-772-3767

Fax: 978-772-3768

www.responsemicrowave.com