



94 JACKSON ROAD, SUITE 110, DEVENS, MA 01434

ADAPTORS

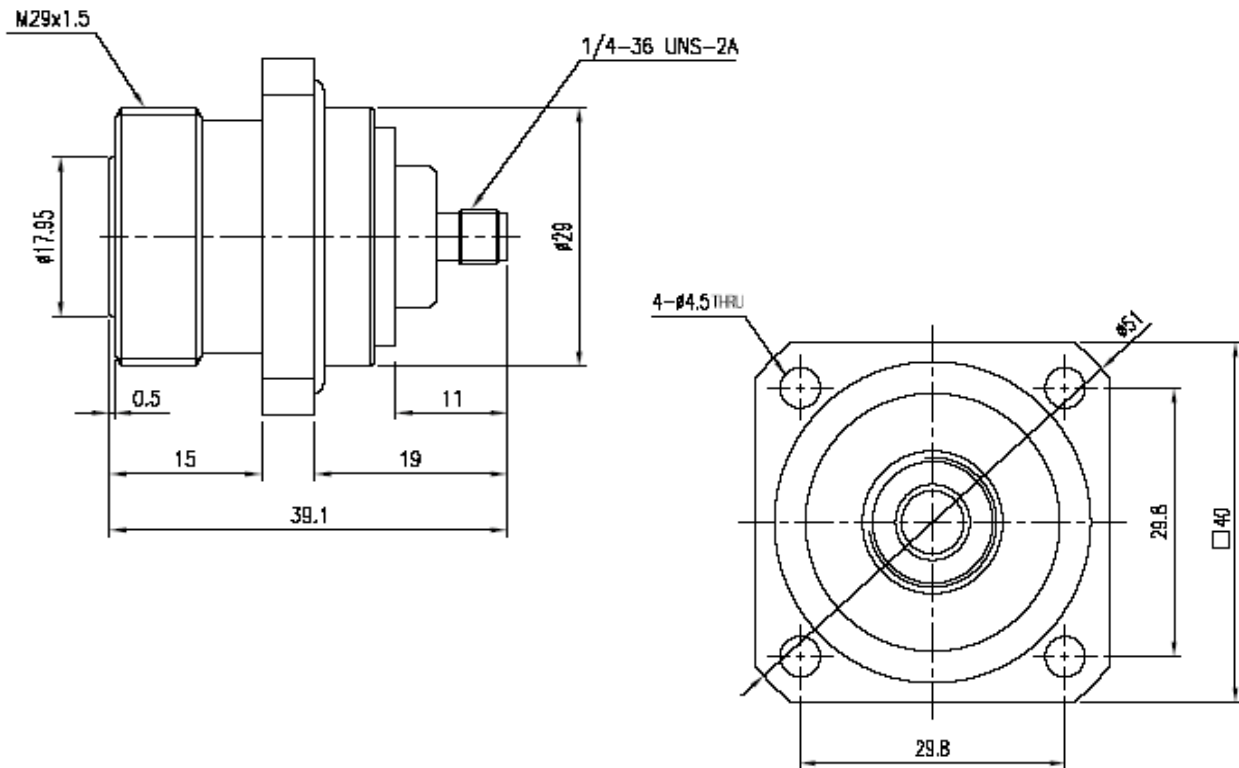
Model RMAD.BS.716Sff Between Series - 7/16 female to SMA female

Frequency (GHz)	Impedance (Ω)	VSWR (max)	Insertion Loss (dB max)
DC – 6	50	1.2:1	0.4

Notes:

- a. **Material:**
 Body: brass/nickel
 Socket Contacts: BeCu/ silver
- b. **Operation temperature: -65C to +105C deg**

All specifications subject to change



Telephone: 978-772-3767

Fax: 978-772-3768

www.responsemicrowave.com