



94 JACKSON ROAD, SUITE 110, DEVENS, MA 01434

ADAPTORS

Model RMAD.BS.FMESMAfm-TGN

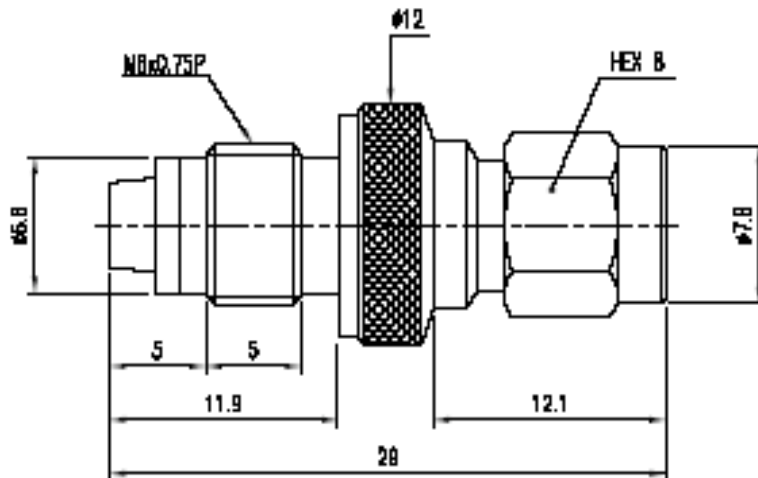
Between Series -
FME female to SMA male TGN

Frequency (GHz)	Impedance (Ω)	VSWR (max)	Insertion Loss (dB min)
DC - 3	50	1.30:1	0.7

Notes:

- a. Material:
 - Body: brass/nickel
 - Contacts: BeCu/gold
 - Dielectric: PTFE
 - Gasket: silicon
 - Spring Ring: Stainless/passivate
- b. Operation temperature: -55C to +85C deg
- c. RoHS Compliant

All specifications are subject to change.



Telephone: 978-772-3767

Fax: 978-772-3768

www.responsemicrowave.com