



94 JACKSON ROAD, SUITE 110, DEVENS, MA 01434

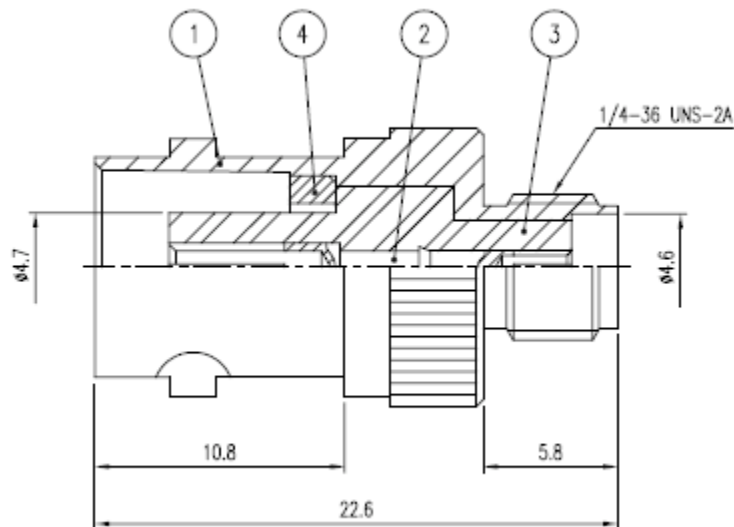
## ADAPTORS

### Model RMAD.BS.SMABNCff Between Series – SMA female to BNC female

Frequency (GHz)	Impedance ( $\Omega$ )	VSWR (max)	Insertion Loss (dB f=frequency GHz)
DC – 6	50	$1.05 + 0.005 f$ (GHz)	$0.07 f^{1/2}$

**Notes:**

- a. Material:  
 Body: brass/nickel  
 Socket Contacts: BeCu/gold
- b. Operation temperature: -65C to +105C deg
- c. Interface: N per MIL-C-39012 & IEC169-15



- 1 = Body brass/nickel plate  
 2 = Contact BeCu/gold plate  
 3 = Insulator PTFE  
 4 = Cover brass/nickel plate

Telephone: 978-772-3767

Fax: 978-772-3768

[www.responsemicrowave.com](http://www.responsemicrowave.com)