



94 JACKSON ROAD, SUITE 110, DEVENS, MA 01434

## ADAPTORS

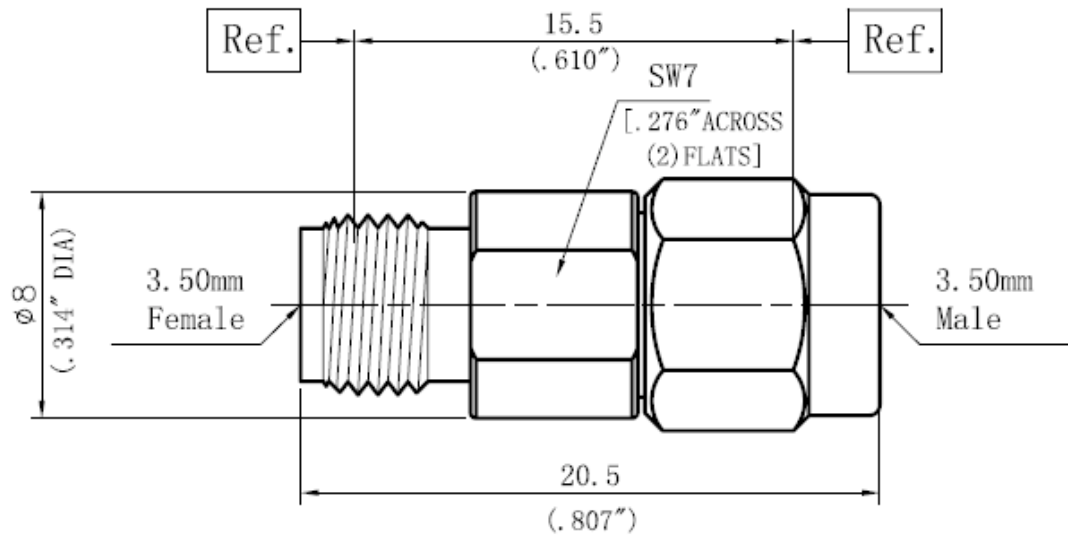
Model RMAD.IS.35mf

In Series –3.5mm male/female

Frequency (GHz)	Impedance ( $\Omega$ )	VSWR (max)	Insertion Loss (dB f=frequency GHz)
DC – 33	50	1.15:1	0.07 f $\frac{1}{2}$

### Notes:

- a. Material:
  - Body: SU303F stainless steel/passivate
  - Socket Contacts: BeCu/gold
  - Dielectric: PEI
- b. Operation temperature: -65C to +105C deg



All specifications subject to change

Telephone: 978-772-3767

Fax: 978-772-3768

[www.responsemicrowave.com](http://www.responsemicrowave.com)