



94 JACKSON ROAD, SUITE 110, DEVENS, MA 01434

ADAPTORS

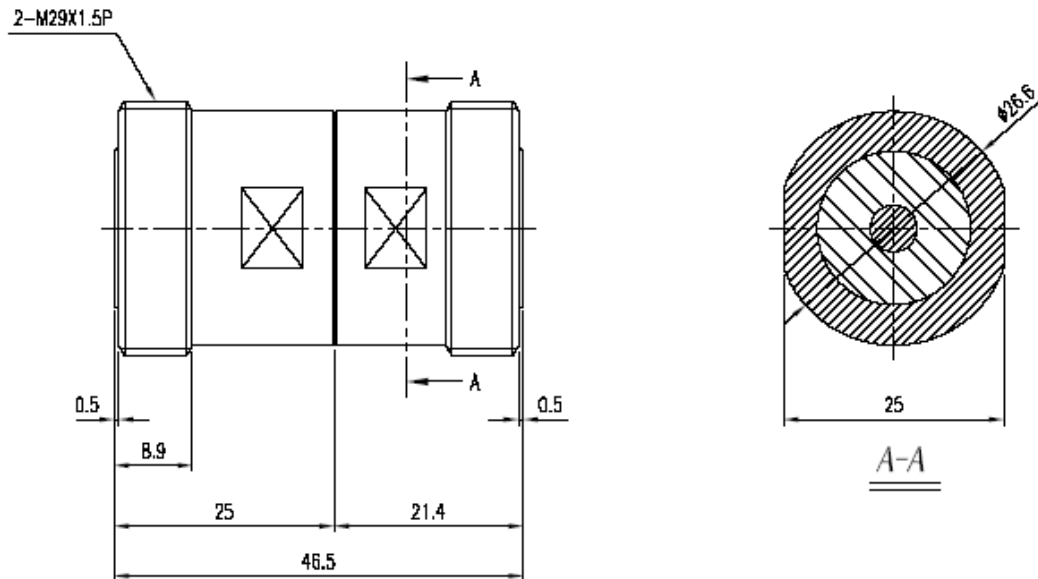
Model RMAD.IS.716ff

In Series – 7/16 female/female

Frequency (GHz)	Impedance (Ω)	VSWR (max)	Insertion Loss (dB min)
DC – 6	50	1.20:1	0.4

Notes:

- a. Material:
 Body: brass/ternary alloy
 Socket Contacts: Brass/gold & silver
- b. Operation temperature: -65C to +105C deg
- c. Interface: per MIL-C-39012 & IEC169-15



All specifications subject to change

Telephone: 978-772-3767

Fax: 978-772-3768

www.responsemicrowave.com