



9 4 J A C K S O N R O A D , S U I T E 1 1 0 , D E V E N S , M A 0 1 4 3 4

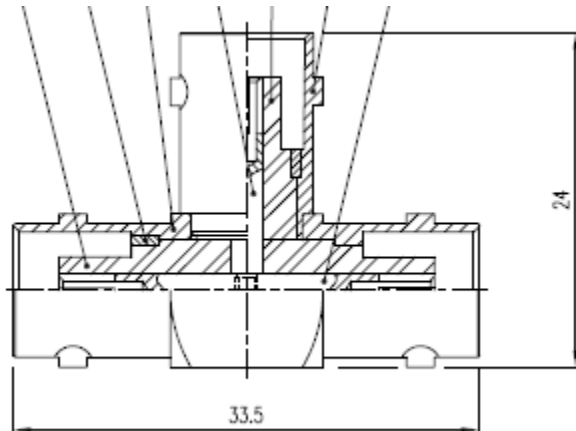
ADAPTORS

Model RMAD.IS.BNCfffT
In Series – BNC female/female/female T

Frequency (GHz)	Impedance (Ω)	VSWR (max)	Insertion Loss (dB f=frequency GHz)
DC – 4	50	1.25:1	$0.07 f^{1/2}$

Notes:

- Material:
 - Body: brass/nickel
 - Socket Contacts: BeCu/gold
 - Dielectric: teflon
- Operation temperature: -65C to +85C deg



Dimensions in mm. All specifications subject to change

Telephone: 978-772-3767
772-3768

Fax: 978-

www.responsemicrowave.com