



94 JACKSON ROAD, SUITE 110, DEVENS, MA 01434

## ADAPTORS

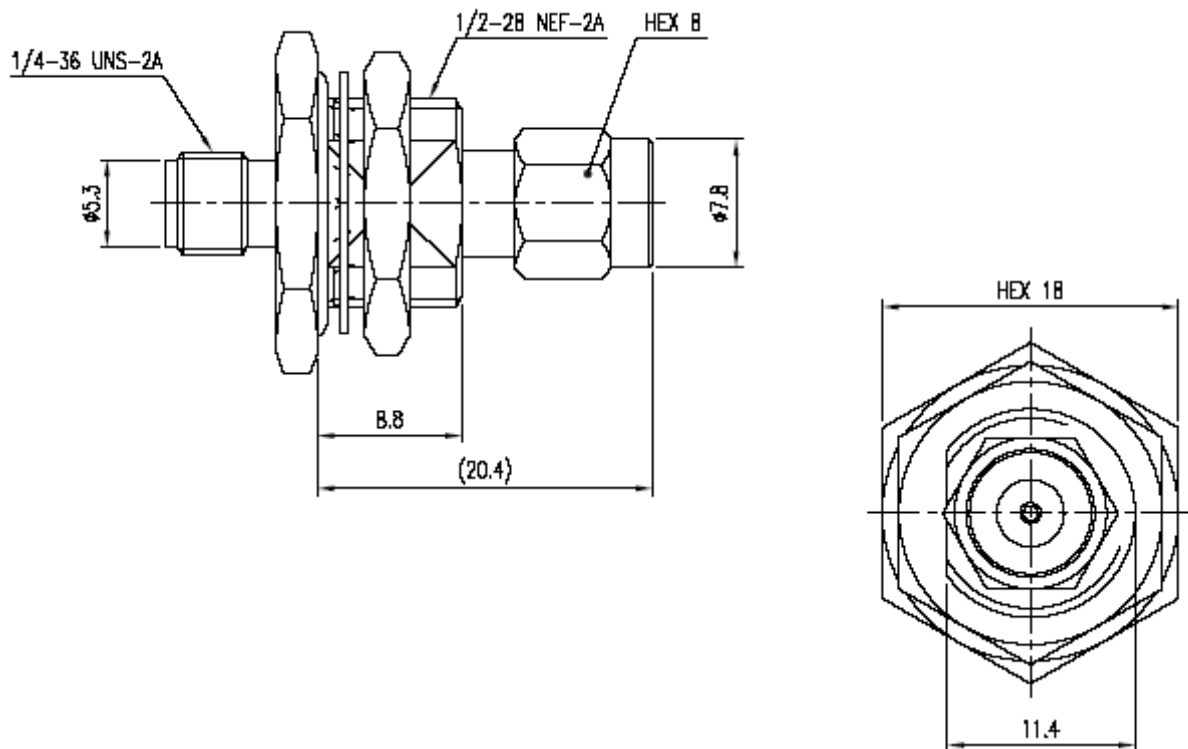
Model RMAD.IS.SMAmfBH

In Series – SMA male/female

| Frequency (GHz) | Impedance ( $\Omega$ ) | VSWR (max)             | Insertion Loss (dB f=frequency GHz) |
|-----------------|------------------------|------------------------|-------------------------------------|
| DC – 18         | 50                     | $1.05 + 0.005 f$ (GHz) | $0.07 f^{1/2}$                      |

### Notes:

- a. Material:
  - Body: stainless steel/passivate
  - Socket Contacts: BeCu/gold
- b. Operation temperature: -65C to +105C deg
- c. Interface: SMA per MIL-C-83517 & IEC169-15



Telephone: 978-772-3767

Fax: 978-772-3768

[www.responsemicrowave.com](http://www.responsemicrowave.com)