



94 JACKSON RD, SUITE 110, DEVENS, MA 01434

Isolators / Circulators

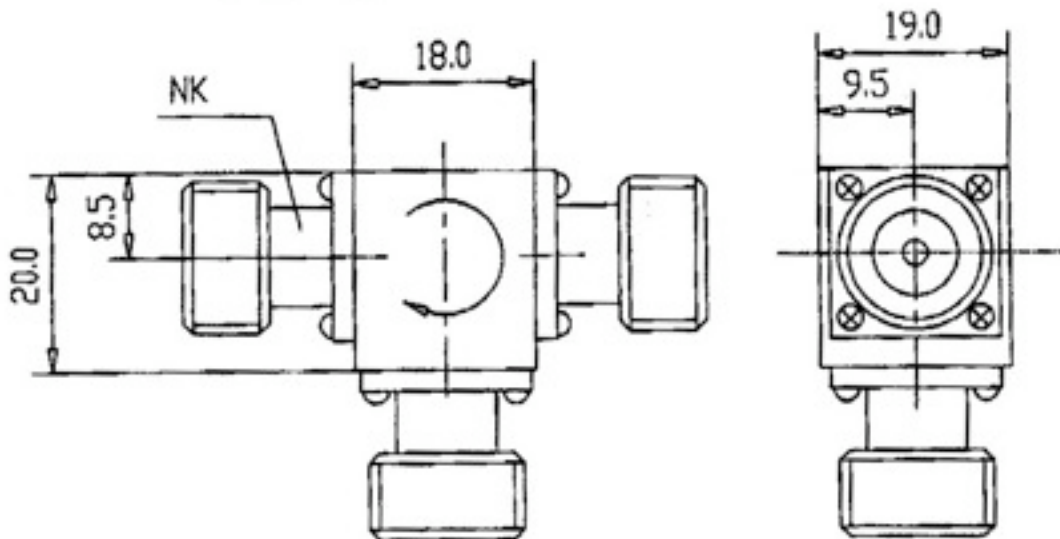
Model RMCI.7-8Nf

Circulator N female

Frequency (MHz)	Insertion Loss (dB max)	Isolation (dB min)	VSWR (max)
7000 - 8000	0.4	23	1.20 : 1

Notes:

- Input and output impedance: 50 Ohms
- Connector: N female, 3 places
- Power: 10w
- Case material: Aluminum alloy with Nickel-plating
- Operation temperature: -20C to +85C deg



All specifications are subject to change without notice.

Telephone: 978-772-3767

Fax: 978-772-3768

www.responsemicrowave.com