



94 JACKSON ROAD, SUITE 110, DEVENS, MA 01434 USA

## Power Divider / Splitters

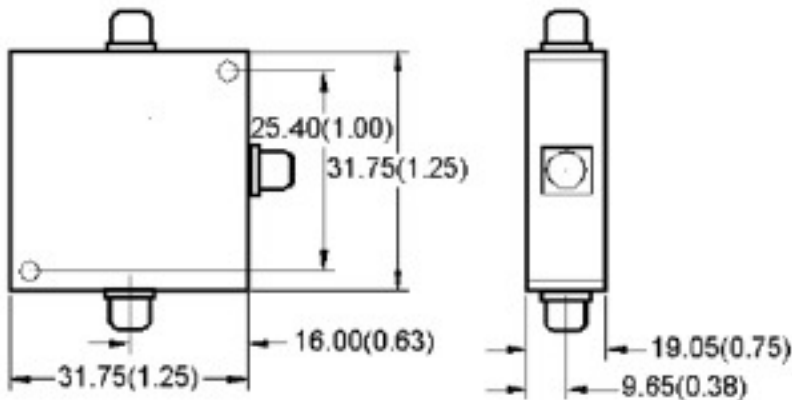
Model RMPD2.500Sf

2 way Power Divider SMA female

Freq. Range (Mhz) F <sub>L</sub> -F <sub>U</sub>	Insertion Loss(dB)			Isolation (dB)			VSWR	Unbalance					
								Phase (Deg)			Amplitude(dB)		
	L	M	U	L	M	U	L	M	U	L	M	U	
	Typ/Max	Typ/Max	Typ/Max	Typ/Min	Typ/Min	Typ/Min	Typ/Max	Max	Max	Max	Max	Max	Max
5-500	0.2/0.5	0.3/0.6	0.6/0.8	30/25	25/20	25/20	1.2/1.4	2	3	4	0.15	0.2	0.3

### Notes:

- Input and output impedance: 50 Ohms
- Connector: SMA female, (options: N, BNC, TNC & Reverse Polarity versions)
- Output Power:  $\leq 1$  W
- Case material: Aluminum alloy with Nickel-plating, logo/date code laser engraved.
- Operation temperature: -35C to +85C deg



All specifications are subject to change without notice.

Telephone: 978-772-3767

Fax: 978-772-3768

[www.responsemicrowave.com](http://www.responsemicrowave.com)