



94 JACKSON ROAD, SUITE 110, DEVENS, MA 01434 USA

Power Combiner/Divider

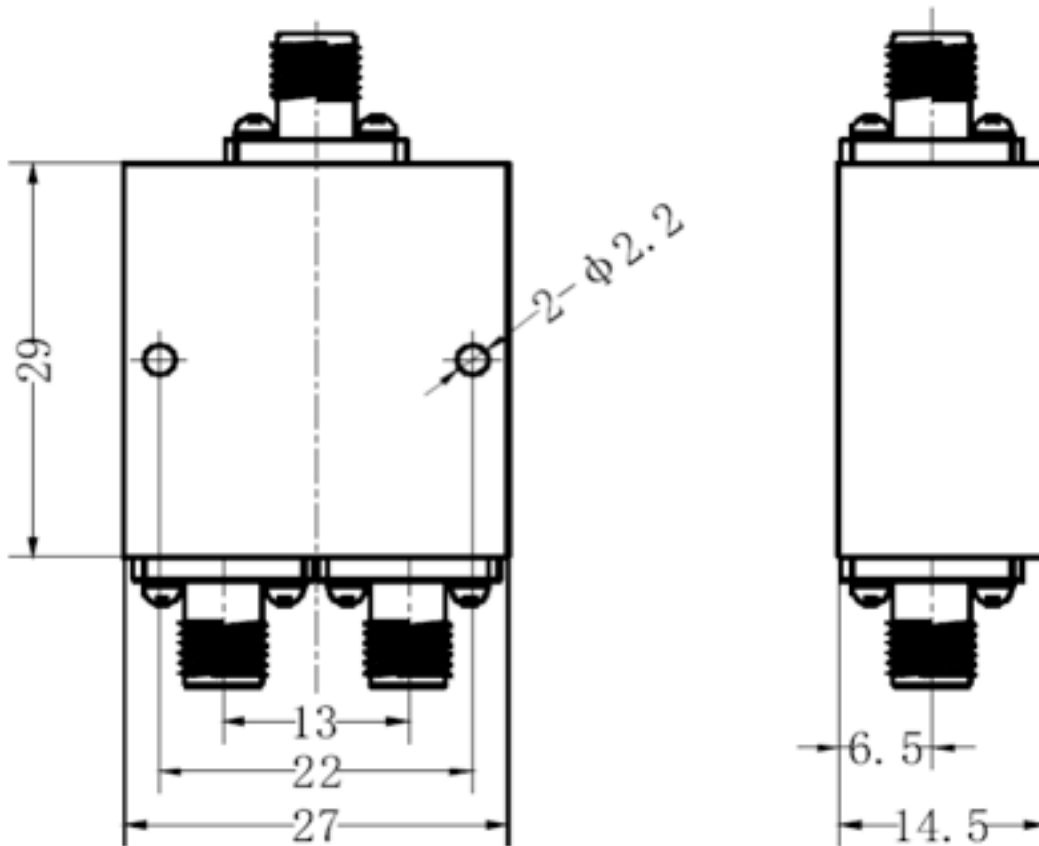
Model RMPD2.7000-9000Sf

2-Way, 0° SMA female

Frequency (MHz)	Insertion Loss (dB max)	Isolation (dB min)	VSWR (max)	Phase Balance (°)	Amplitude Balance (dB)
7000 - 9000	0.8	20	1.5:1	5	0.3

Notes:

- a. Input and output impedance: 50 Ohms
- b. Connector: SMA female 3 places
- c. Power: Forward 50 W
- d. Case material: Aluminum alloy with clear iridite plate
- e. Operation temperature: -55C to +85C deg



All specifications are subject to change without notice.

Telephone: 978-772-3767

Fax: 978-772-3768

www.responsemicrowave.com