



94 JACKSON ROAD, STE 110, DEVENS, MA 01434

## Power Dividers

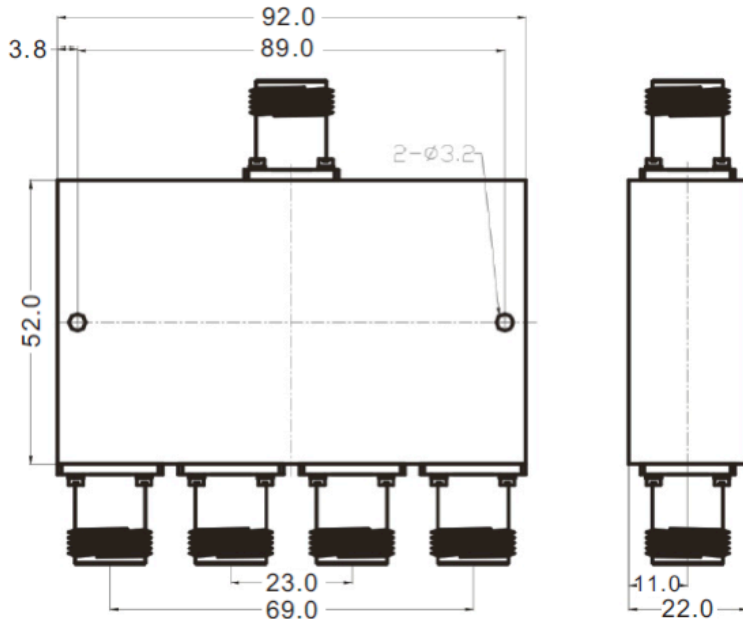
Model RMPD4.8000Nf

4 way Power Divider Type N

Frequency (MHz)	Insertion Loss (dB) typ/max	Isolation (dB) typ/min	VSWR (typ/max)	Phase Balance (° max)	Amplitude Balance (dB max)
2000 - 8000	0.6/1.2	20/18	1.3:1/1.6:1	8	0.8

### Notes:

- Input and output impedance: 50 Ohms
- Connector: N female
- Input Power: 50W, Reverse Power:  $\leq 1$  W
- Case material: Aluminum alloy/iridite
- Operation temperature: -35C to +80C deg



Dimensions in mm. All specifications are subject to change without notice.

Telephone: 978-772-3767

Fax: 978-772-3768

[www.ResponseMicrowave.com](http://www.ResponseMicrowave.com)

Email: [Info@ResponseMicrowave.com](mailto:Info@ResponseMicrowave.com)