



94 JACKSON ROAD, SUITE 110, DEVENS, MA 01434

## ADAPTORS

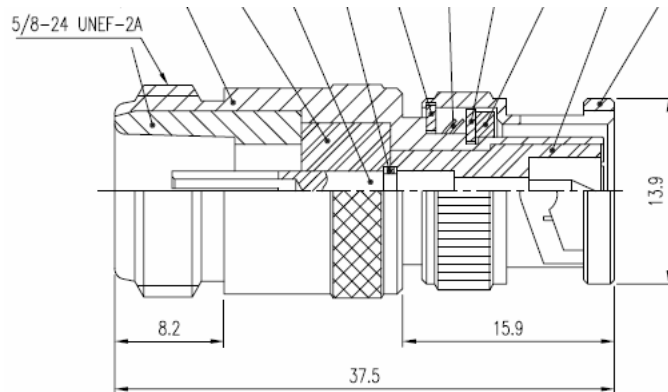
**Model RMAD.BS.NBNCfm**

**Between Series – N to BNC**

Frequency	Insertion Loss	Impedance	VSWR
DC – 8GHz	$0.07 f^{1/2}$ dB <i>f=frequency GHz</i>	50Ω	$1.05 + 0.005 f$ (GHz)

**Notes:**

- a. Material:
  - Body: brass/nickel
  - Socket Contacts: BeCu/gold
- b. Operation temperature: -65°C to +105°C



Telephone: 978-772-3767

Fax: 978-772-3768

[www.responsemicrowave.com](http://www.responsemicrowave.com)