



94 JACKSON ROAD, SUITE 110, DEVENS, MA 01434

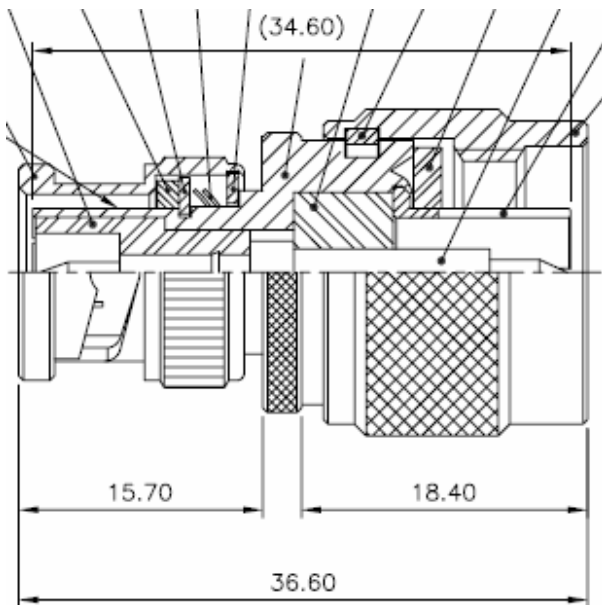
ADAPTORS

Model RMAD.BS.NBNCmm Between Series – N to BNC

Frequency	Insertion Loss	Impedance	VSWR
DC – 8GHz	$0.07 f^{1/2}$ dB <i>f=frequency GHz</i>	50Ω	$1.05 + 0.005 f$ (GHz)

Notes:

- a. Material:
Body: brass/nickel
Socket Contacts: BeCu/gold
- b. Operation temperature: -65°C to +105°C



Telephone: 978-772-3767

Fax: 978-772-3768

www.responsemicrowave.com