



94 JACKSON ROAD, SUITE 110, DEVENS, MA 01434

ADAPTORS

Between Series

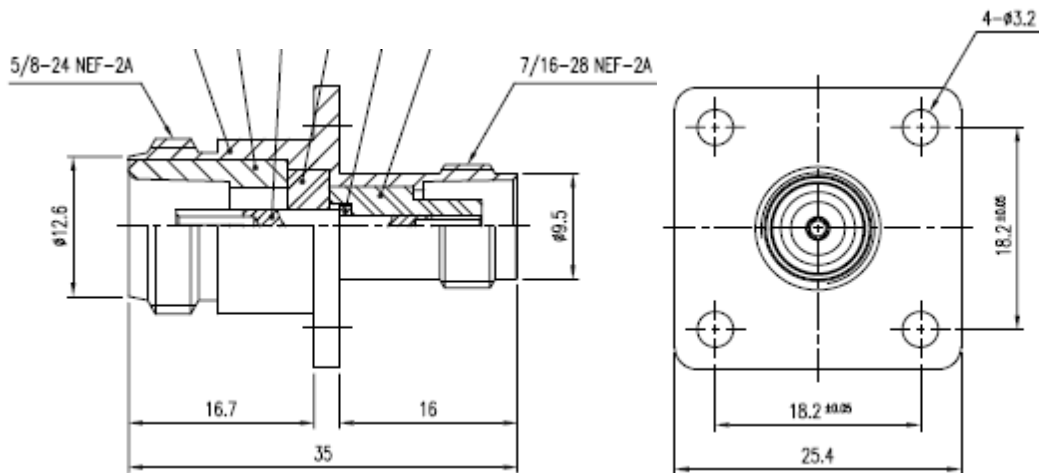
Model RMAD.BS.NTNCff4HF

Nfemale to TNCfemale 4HF

Frequency	Insertion Loss	Impedance	VSWR
DC – 8GHz	0.07 f ¹ / ₂ dB <i>f=frequency GHz</i>	50ohms	1.20 :1 max

Notes:

- a. Material:
 - Body: brass/nickel
 - Socket Contacts: BeCu/gold
 - Dielectric: PTFE
- b. Operation temperature: -65C to +105C deg



Dimensions are in mm. All specifications subject to change

Telephone: 978-772-3767

Fax: 978-772-3768

www.responsemicrowave.com