



94 JACKSON ROAD, SUITE 110, DEVENS, MA 01434

## ADAPTORS Between Series

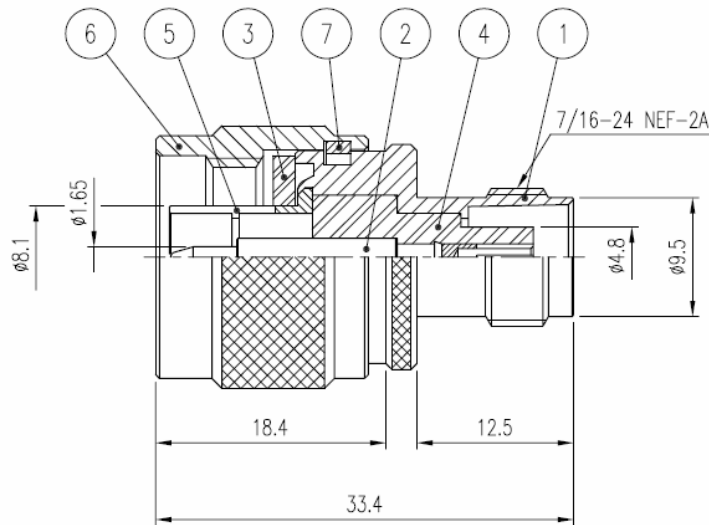
Model RMAD.BS.NTNCmf

N male to TNC female

Frequency	Insertion Loss	Impedance	VSWR
DC – 4GHz	0.07 f <sup>1</sup> / <sub>2</sub> dB f=frequency GHz	50Ω	1.20:1 max

Notes:

- a. Material:  
 Body: brass/nickel  
 Socket Contacts: BeCu/gold  
 Dielectric: PTFE
- b. Operation temperature: -65°C to +105°C



Dimensions are in mm. All specifications subject to change

- 1 = Body – brass/nickel
- 2 = Contact – BeCu/gold
- 3 = Gasket – silicon rubber
- 4 = Dielectric – PTFE
- 5 = Contact – MBsBD/nickel
- 6 = Coupling nut – MBsBD/nickel
- 7 = Snap ring – MBsBD/nickel

Telephone: 978-772-3767

Fax: 978-772-3768

[www.responsemicrowave.com](http://www.responsemicrowave.com)