



94 Jackson Road, Devens, MA 01434-4012 USA

## ADAPTORS

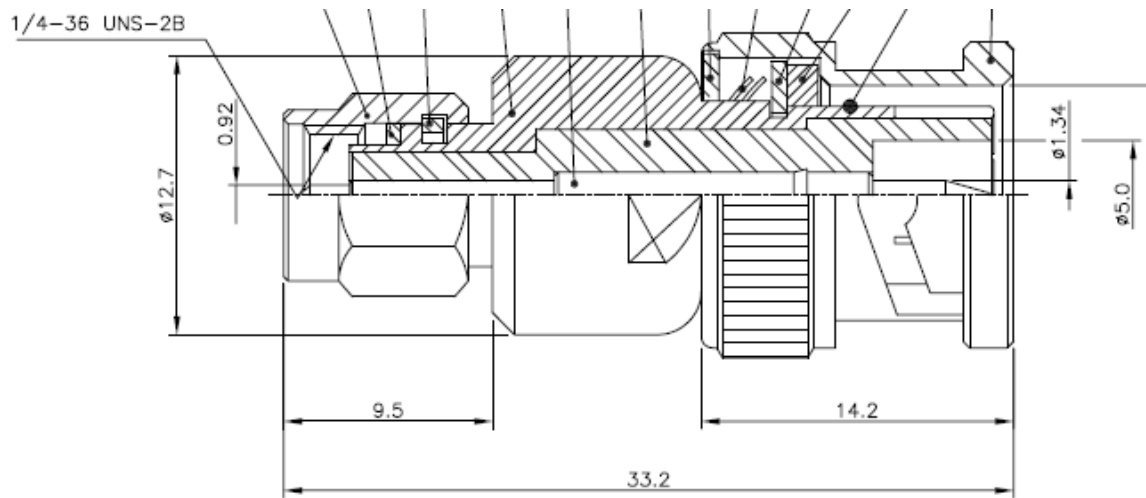
Model RMAD.BS.SMABNCmm

Between Series – SMA to BNC

Frequency	Insertion Loss	Impedance	VSWR
DC – 4GHz	0.5dB typ	50ohms	1.2:1 max

**Notes:**

- a. **Material:**  
Body: brass/nickel  
Contacts: BeCu/gold  
Dielectric: PTFE  
Gasket: silicon
- b. **Operation temperature:** -55C to +85C deg
- c. **RoHS Complaint**



*Dimensions in mm. All specifications are subject to change without notice.*

Telephone: 978-772-3767

Fax: 978-772-3768

[www.responsemicrowave.com](http://www.responsemicrowave.com)