



94 JACKSON ROAD, SUITE 110, DEVENS, MA 01434

ADAPTORS

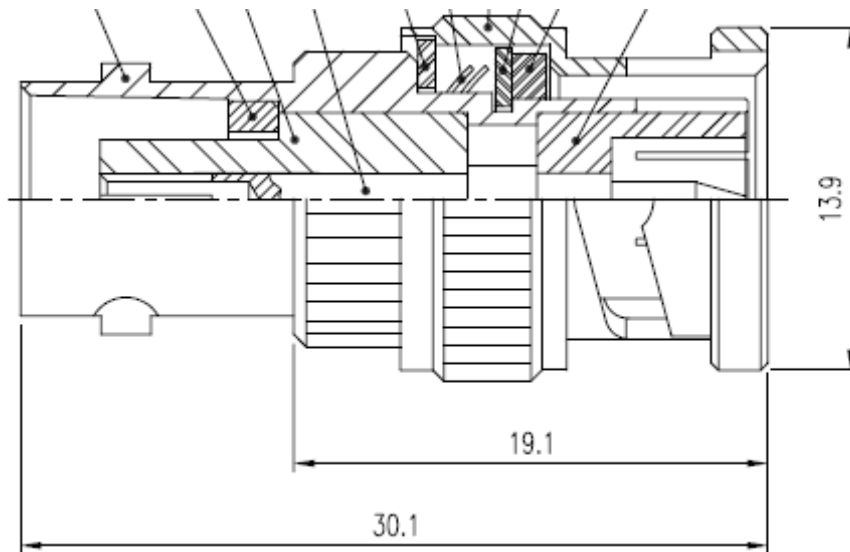
Model RMAD.IS.BNCmf

In Series – BNC male to BNC female

Frequency	Insertion Loss	Impedance	VSWR
DC – 3GHz	$0.07 f^{1/2}$ dB <i>f=frequency GHz</i>	50ohms	1.25:1 max

Notes:

- Material:
Body: brass/nickel
Socket Contacts: BeCu/gold
Dielectric: teflon
- Operation temperature: -65C to +85C deg



Dimensions in mm. All specifications subject to change

Telephone: 978-772-3767

Fax: 978-772-3768

www.responsemicrowave.com