



94 JACKSON ROAD, SUITE 110, DEVENS, MA 01434

ADAPTORS

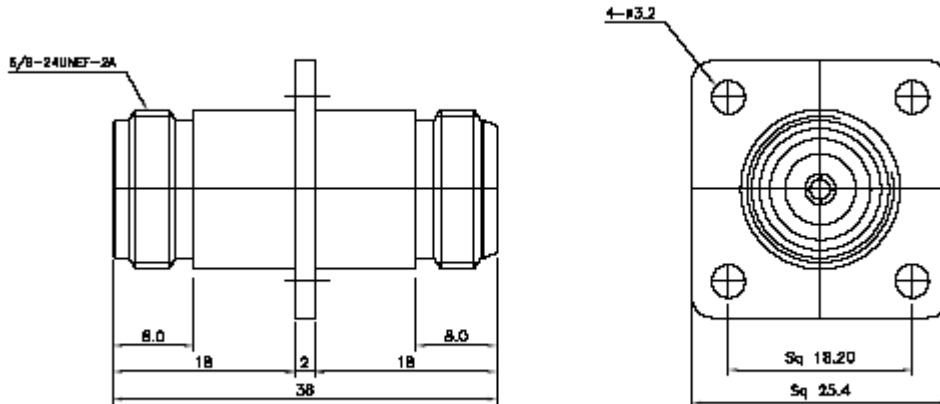
Model RMAD.IS.Nff4hf

In Series –
N female/female 4-hole flange

| Frequency (GHz) | Impedance (Ω) | VSWR (max) | Insertion Loss (dB f=frequency GHz) |
|-----------------|------------------------|------------------------|-------------------------------------|
| DC – 10 | 50 | $1.05 + 0.005 f$ (GHz) | $0.07 f^{1/2}$ |

Notes:

- Material:
Body: brass/nickel
Socket Contacts: BeCu/gold
- Operation temperature: -65C to +105C deg
- Interface: N per MIL-C-39012 & IEC169-15



ALL SPECIFICATIONS SUBJECT TO CHANGE

Telephone: 978-772-3767

Fax: 978-772-3768

www.responsemicrowave.com