



94 JACKSON ROAD, SUITE 110, DEVENS, MA 01434

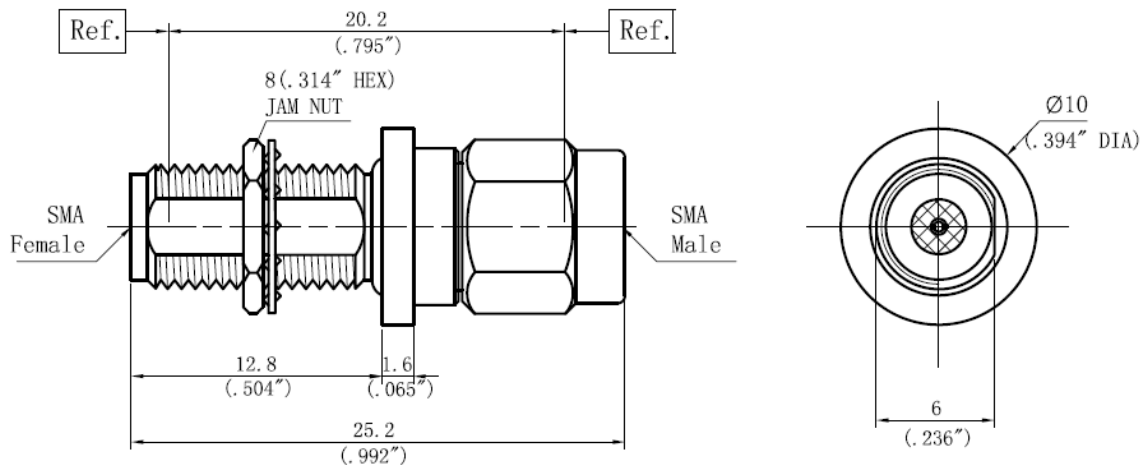
ADAPTORS

Model RMAD.IS.SMA27mfBHb In Series – SMA male/female

Frequency	Insertion Loss	Impedance	VSWR
DC – 27GHz	0.07 f ^{1/2} dB f=frequency GHz	50Ω	1.15:1 max

Notes:

- Material:**
Body: SU303F stainless steel/passivate
Socket Contacts: BeCu/gold
- Operation temperature:** -65°C to +105°C
- Interface:** SMA per MIL-C-83517 & IEC169-15



Dimensions in mm. All specifications subject to change based on current revision

Telephone: 978-772-3767

Fax: 978-772-3768

www.responsemicrowave.com