



94 JACKSON ROAD, SUITE 110, DEVENS, MA 01434

ADAPTORS

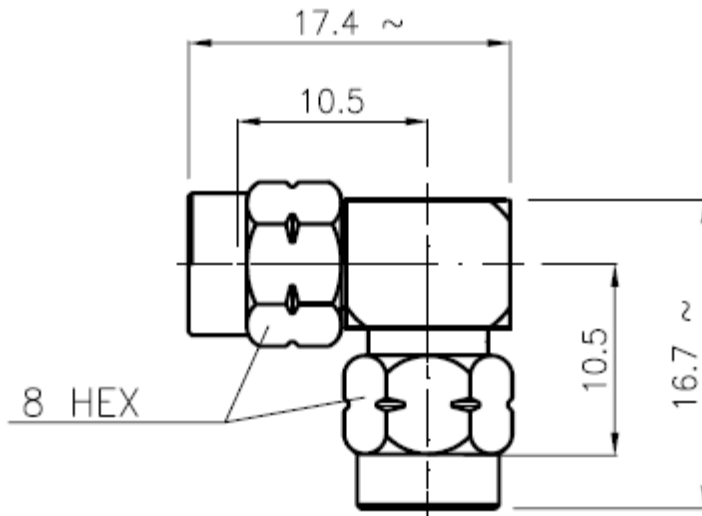
Model RMAD.IS.SMAMMRA.

In Series – SMA R/A male/male

Frequency	Insertion Loss	Impedance	VSWR
DC – 18GHz	$0.06 f^{1/2}$ dB <i>f=frequency GHz</i>	50ohms	DC-18GHz - 1.2:1 max

Notes:

- Material:
Body: SUS303/gold
Socket Contacts: BeCu/gold
- Operation temperature: -60C to +165C deg
- Interface: SMA per MIL-STD-348A
- Durability: 500 mating cycles



Dimensions in mm. ALLSPECIFICATIONS SUBJECT TO CHANGE

Telephone: 978-772-3767

Fax: 978-772-3768

www.responsemicrowave.com