



94 JACKSON ROAD, SUITE 110, DEVENS, MA 01434

Power Divider / Splitters

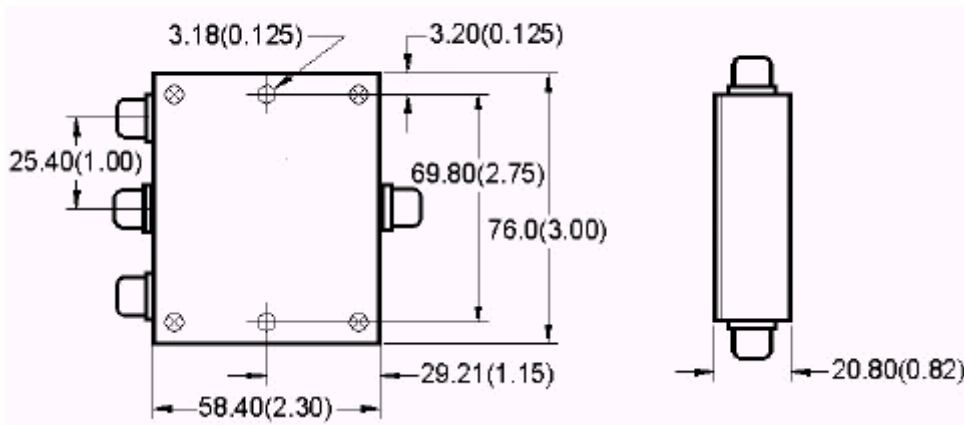
Model RMPD3.2500Sf

3 way power divider SMA jacks

Freq. Range (Ghz) F _L -F _U	Insertion Loss(dB)			Isolation (dB)			VSWR	Unbalance					
	L	M	U	L	M	U		Phase (Deg)			Amplitude(dB)		
	Typ/Max	Typ	Typ/Max	Typ/Min	Min	Typ/Min	Max	Max	Max	Max	Max	Max	Max
0.8-2.5		0.8			20		1.5		4			0.5	

Notes:

- Input and output impedance: 50 Ohms
- Connector: N female jacks, (options: SMA, BNC, TNC & Reverse Polarity versions)
- Power: < 1 W
- Case material: Aluminum alloy with Nickel-plating, logo/date code laser engraved.
- Operation temperature: -35C to +80C deg



All specifications are subject to change without notice.

Telephone: 978-772-3767

Fax: 978-772-3768

www.responsemicrowave.com