



94 JACKSON ROAD, SUITE 110, DEVENS, MA 01434 USA

Power Combiner/Divider

Model RMPD4.2-18Sf

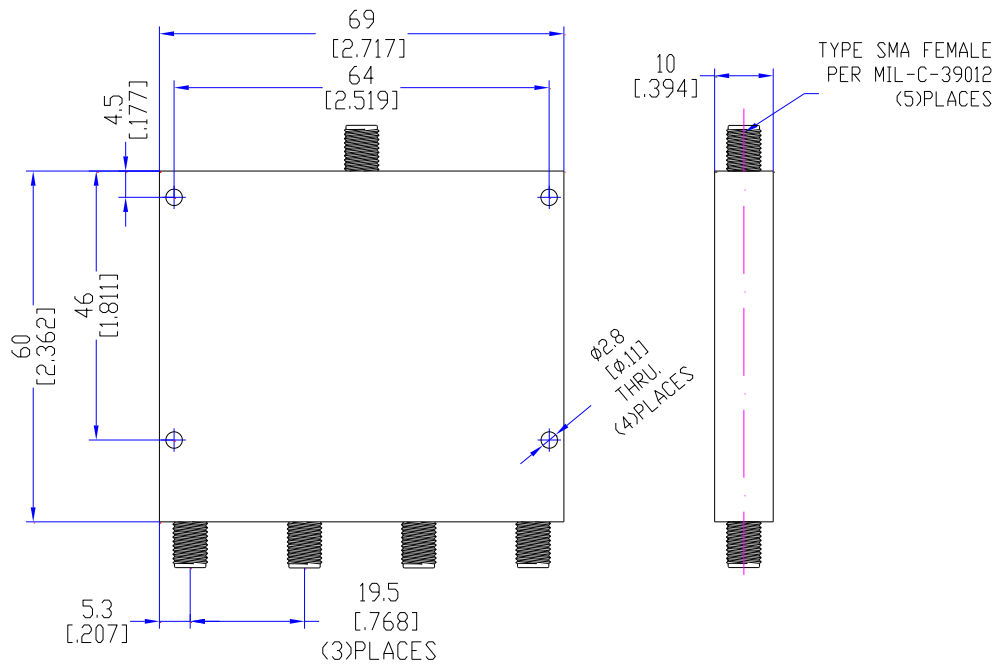
4-Way, 0° SMA female

Frequency	Amplitude Unbalance	Phase Unbalance	VSWR	Insertion Loss	Isolation
2 - 18GHz	0.6dB max	+/- 8° max	1.50:1 typ	2.2dB max	16dB min

Notes:

- a. Input and output impedance: 50 Ohms
- b. Connector: SMA female 5 places stainless/passivate
- c. Power: Forward 10 W CW Reverse: 1 W
- d. Case material: Aluminum alloy w/black paint finish
- e. Operation temperature: -55°C to +85°C

Complies with the requirement set out the Council Directive 2002/95/EC. The following standards were applies: EPA3050B&AAS, EPA3060A&EPA7196,EPA3052&AAS,EN1122: 2001&AAS, EPA3540C&GC-MS



Dimensions in mm. All specifications are subject to change without notice.

Telephone: 978-772-3767

Fax: 978-772-3768

www.responsemicrowave.com