



94 JACKSON ROAD, SUITE 110, DEVENS, MA 01434 USA

Power Combiner/Divider

Model RMPD4.700-2700Sf

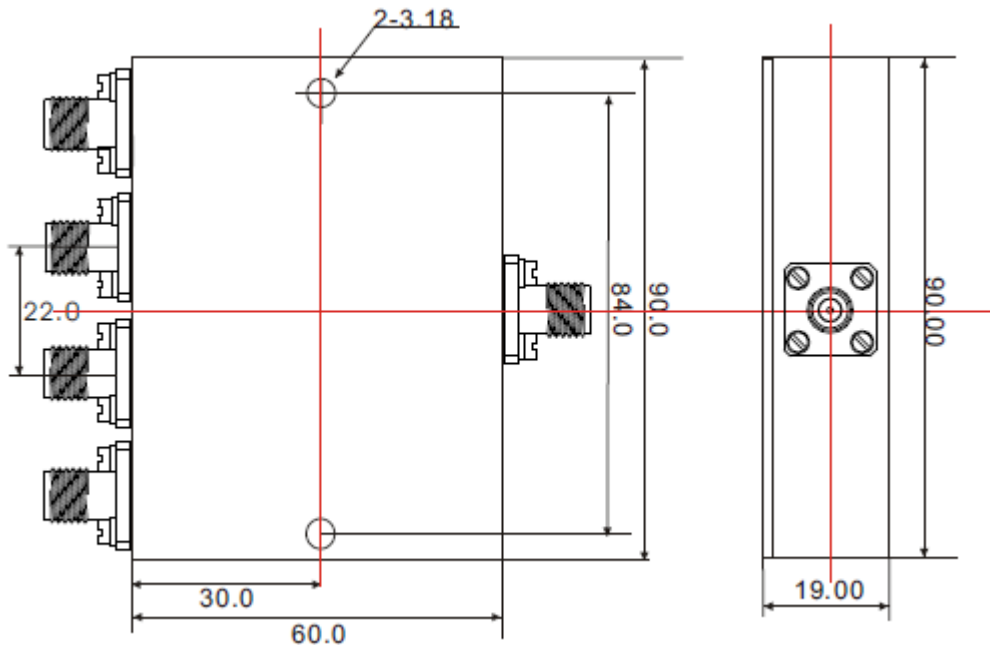
4-Way, 0° SMA female

Frequency	Amplitude Unbalance	Phase Unbalance	VSWR	Insertion Loss	Isolation
700-2700MHz	0.5dB max	+/- 5° max	1.60:1max	0.8dBmax	18dB min

Notes:

- Input and output impedance: 50 Ohms
- Connector: SMA female 5 places (male available on request)
- Power: Forward 50 W CW Reverse: 1 W
- Case material: Aluminum alloy w/clear iridite finish
- Operation temperature: -40C to +70C deg

Complies with the requirement set out the Council Directive 2002/95/EC. The following standards were applies: EPA3050B&AAS, EPA3060A&EPA7196,EPA3052&AAS,EN1122: 2001&AAS, EPA3540C&GC-MS



All specifications are subject to change without notice.

Telephone: 978-772-3767

Fax: 978-772-3768

www.responsemicrowave.com