



94 JACKSON ROAD, SUITE 110, DEVENS, MA 01434

## Power Divider / Splitters

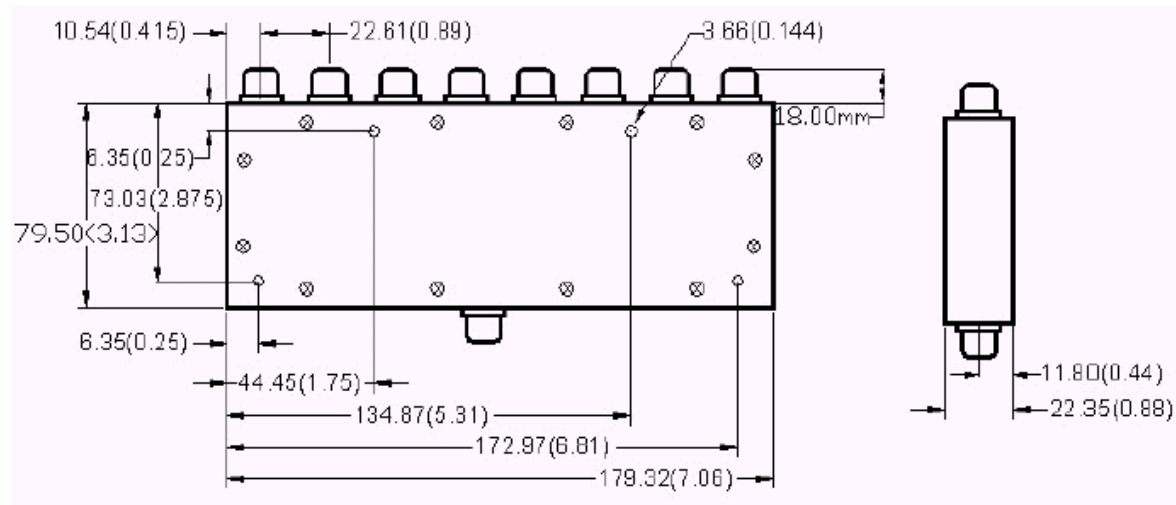
**Model RMPD8-2500NF**

**8 way power divider Type N female**

Freq. Range (Ghz) F <sub>L</sub> -F <sub>U</sub>	Insertion Loss(dB)			Isolation (dB)			VSWR	Unbalance						
	L	M	U	L	M	U		Phase (Deg)			Amplitude(dB)			
							Typ/Max	Typ/Max	Typ/Max	Typ/Min	Typ/Min	Typ/Min	Typ/Max	Max
0.8-2.5		0.8/1.8			25/20		1.2/1.5		15				1.6	

### Notes:

- Input and output impedance: 50 Ohms
- Connector: N female jacks, (options: SMA, BNC, TNC & Reverse Polarity versions)
- Power: < 1 W
- Case material: Aluminum alloy with Nickel-plating, logo/date code laser engraved.
- Operation temperature: -35C to +80C deg



All specifications are subject to change without notice.

Telephone: 978-772-3767

Fax: 978.772.3768

[www.responsemicrowave.com](http://www.responsemicrowave.com)

Rev 7/25/04