



94 JACKSON ROAD, SUITE 110, DEVENS, MA 01434

Electromechanical Phase Shifter

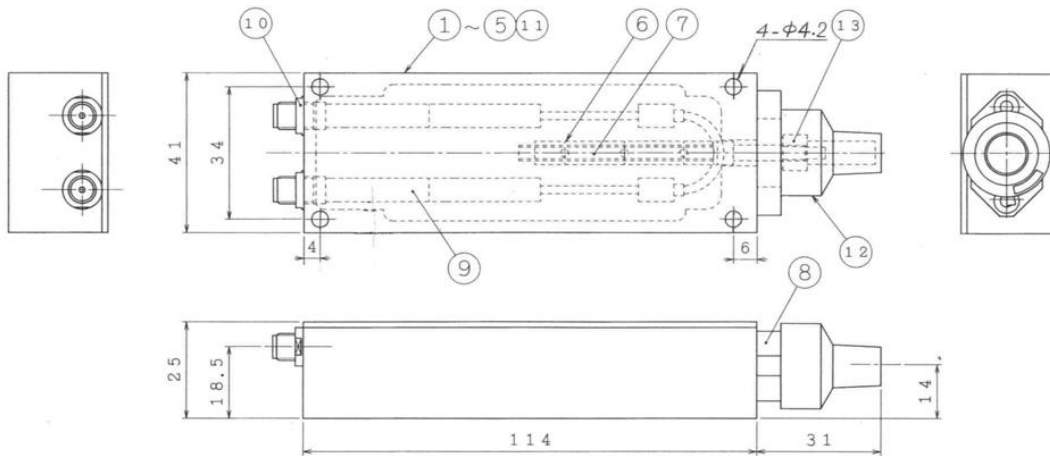
Model RMPS.60000.185f

1.85mm female

Frequency Range (GHz) FL-Fu	Insertion Loss (dB max)	Impedance	VSWR (max)	Phase Variation (deg/GHz)
DC-60000	3.0	50 Ω	$\leq 1.40:1$	50

Notes:

- a. Connector: 1.85mm female, SS/P
- b. Operation temperature: -40°C to +105°C
- c. Case material: aluminum w/golden iridite



All specifications are subject to change without notice.

Dimensions: mm

Telephone: 978-772-3767

Fax: 978-772-3768

www.responsemicrowave.com

Rev 10/27/16